



The University of Georgia
Office of University Architects for Facilities Planning

10 14 00
SIGNAGE

1. GENERAL

A. Related sections:

- i. 00 00 09 - Room & Space Numbering
- ii. 26 56 00 – Exterior Lighting (for requirements regarding exterior signage.)

B. For projects at the University of Georgia, Athens, Georgia campus, the UGA FMD will fabricate the interior environmental way finding signage for the Project. The Owner will provide the signs and the Contractor shall install them. The quantity and location of signs shall be agreed upon during the construction document design phase and the installation costs shall be included in the Contractor's Cost of the Work in the Guaranteed Maximum Price.

2. PRODUCTS

A. The Design Professional shall develop a spreadsheet that lists room numbers in one column and room names in another column. The listing shall be organized by floor. The file shall be given to the Project Manager for use in developing final building signage.



10 21 13

TOILET COMPARTMENTS

1. GENERAL

- A. Related sections:
 - i. 10 28 13 Toilet, Bath, and Laundry Accessories
- B. Use wall-mounted vanity panels at urinals.
- C. Coat hooks shall be mounted on permanent non-moving toilet partitions and shall not be mounted on the toilet compartment doors.

2. PRODUCTS

- A. Toilet partitions shall be solid surface plastic HDPE (High Density Polyethylene) that are floor-mounted and head-braced.
 - i. Toilet partition hardware shall be stainless steel.



10 26 13
CORNER GUARDS

1. GENERAL

- A. Provide corner guards in all public spaces, service areas and at specialty finishes.
- B. Protect outside corners of gypsum board partitions in public corridors to minimum 36" height as deemed appropriate by Project Manager.
- C. Prefer wall protection at chair rail height for public areas with moveable seating.

2. PRODUCTS

- A. Material as appropriate for specific conditions, coordinate with Project Manager.



10 28 00

TOILET, BATH, AND LAUNDRY ACCESSORIES

1. GENERAL – For UGA Athens Campus Only

- A. The UGA has sole source approval for soap, paper towels, and toilet paper products. The UGA will provide the dispensers for soap, toilet paper, and paper towels for the Project. The basic dispensers are provided by FMD Services at no additional cost to the project. Some of the products are available in stainless steel material and some are available in plastic in a stainless steel color. The Contractor shall install the Owner provided toilet accessories listed above and shall include the installation costs as part of the Cost of the Work or Bid. The Contractor is responsible for coordinating in wall blocking.
 - i. **UGA Housing project only (New construction)** does not use the UGA standard toilet accessories and its requirements are listed separately below.
- B. Sanitary napkin dispensers shall not be included in the project.
- C. Toilet seat cover dispensers shall not be included in the project.

2. PRODUCTS

- A. Soap Dispenser (Information is provided for planning and coordination only (not for specification for purchase):
 - i. Manufacturer:
 - a. GOJO Industries
 - b. One GOJO Plaza, Suite 500, Akron, Ohio 44311
 - c. P.O. Box 991, Akron, Ohio 44309-0991 USA
 - d. 1-800-321-9647, 1-330-255-6000
 - ii. Model:
 - a. GOJO FMX-12 Dispenser
 - b. Product SKU Number: 5150-06
 - c. Website: <http://www.gojo.com/united-states/productsearch.aspx?SearchStr=5150-06&ProdID={BB36B071-6C22-4676-BCF8-E64245BA5B8C}>
 - d. See additional pages in this section for manufacturer data sheet.
 - iii. Capacity: 1250 mL Capacity
 - iv. Color and Material:
 - a. Standard is plastic in Dove Gray with glossy finish
 - b. Stainless steel is an option; similar style but may be a different model number.
 - v. Special Features:
 - a. ADA compliant one hand push operation
 - b. Includes optional key lock
- B. Toilet Tissue Dispenser (Information is provided for planning and coordination only (not for specification for purchase):
 - i. 2-Roll
 - a. Manufacturer/Vendor:
 - 1) Wausau Paper: www.wausaupaper.com
 - b. Model:
 - 1) Wausau (Bay West Green Seal Certified EcoSoft) Silhouette
Dubl-Serv 2-Roll OptiCore Capacity



The University of Georgia

Office of University Architects for Facilities Planning

- 2) Product Number: 80200
- 3) Website:
http://www.wausaupaper.com/Towel_and_Tissue/Products/1839/1033.aspx
- 4) See additional pages in section for manufacturer data sheet.
- c. Size: 11-1/16" x 8-13/16" x 7-3/16"
- d. Weight: 2.1 lbs.
- e. Color and Material:
 - 1) Standard is plastic in Black Translucent
 - 2) Stainless steel is an option; similar style but may be a different model number.
- f. Special Features: ADA Title III Compliant and Locking Cover
- ii. 3 Roll
 - a. Manufacturer:
 - 1) Wausau Paper: www.wausaupaper.com
 - b. Model:
 - 1) Wausau (Bay West Green Seal Certified EcoSoft) Silhouette Revolution 3-Roll OptiCore
 - 2) Product Number: 80300
 - 3) Website:
http://www.wausaupaper.com/Towel_and_Tissue/Products/1840/1033.aspx
 - 4) See additional pages in this section for manufacturer data sheet.
 - c. Size: 14-1/8" x 14-9/16" x 6-5/16"
 - d. Weight: 3.4 lbs.
 - e. Color and Material:
 - 1) Standard is plastic in Black Translucent
 - 2) Stainless steel is an optional upgrade; similar style but may be a different model number.
 - f. Special Features:
 - 1) ADA Title III Compliant
 - 2) Locking Cover
- C. Paper Towel Dispenser (Information is provided for planning and coordination only not for specification for purchase) The OptiServ 76700 is typically utilized and the Optiserv Accent 76600 is for areas that require a more compact dispenser.
 - i. OptiServ 86500
 - a. Manufacturer:
 - 1) Wausau Paper: www.wausaupaper.com
 - b. Model:
 - 1) Wausau Bay West Silhouette OptiServ Hands-Free
 - 2) Product Number: 76700
 - 3) Website: <http://www.wausaupaper.com/product/optiserv-76700/>
 - c. Size: 12-1/8" x 16-13/16" x 9-13/16"
 - d. Weight: 6.85 lbs.
 - e. Color and Material: Standard is plastic in Black Translucent



The University of Georgia

Office of University Architects for Facilities Planning

- f. Special Features: ADA Title III Compliant
- g. Notes:
 - 1) Design Professional is to coordinate final selection with Project Manager.
 - 2) See additional pages in section for manufacturer data sheet.
- ii. OptiServ Accent 76600
 - a. Manufacturer:
 - 1) Wausau Paper: www.wausaupaper.com
 - b. Model:
 - 1) Wausau Bay West Silhouette OptiServ Hands-Free
 - 2) Product Number: 76600
 - 3) Website:
http://www.wausaupaper.com/product_type/optiserv-accent-roll-towel-dispensers/
 - c. Size: 12-3/16" x 12-5/8" x 7-1/2"
 - d. Weight: 5.65 lbs.
 - e. Color and Material: Standard is plastic in Black Translucent
 - f. Special Features: ADA Title III Compliant
 - g. Notes:
 - 1) Design Professional is to coordinate final selection with Project Manager.
 - 2) See additional pages in section for manufacturer data sheet.
- D. Hand Dryer
 - i. Rapid-drying hand dryer as approved equal to Dyson Airblade V. Product shall be surface mounted, ADA-compliant, with HEPA filtration and meeting NSF P335 hygiene standards. Product shall be activated by touch-free capacitive sensors with automatic shutoff and shall generate 85db(A) or less when in operation. Product shall have a sprayed nickel finish.
- E. Toilet and Bath Accessories – **For UGA Housing Only (New Construction)**
 - i. All products furnished and installed by Contractor unless noted otherwise.
 - ii. Public Restroom:
 - a. Toilet tissue dispenser equal to Bobrick B-2740.
 - b. Grab bars equal to Bobrick #B-6806 with lengths as required by code.
 - c. Rapid-drying hand dryer as equal to Excel, Xlator; surface mounted; internally grounded, automatic, activated by infrared optical sensor, with automatic shutoff, and cover shall be stainless steel with brushed finish.
 - d. Partition-mounted feminine napkin disposal cabinet for two toilet compartments equal to Bobrick #B-354.
 - e. Surface-mounted feminine napkin disposal cabinet equal to Bobrick #B-254.
 - f. Soap dispensers provided and installed by Owner.
 - iii. Private Bath in Residential Unit:
 - a. Toilet Tissue Dispenser – single-roll, recessed units at non-rated walls, residential units equal to Bobrick #B-667.
 - b. Toilet Tissue Dispenser – single-roll, surface-mounted units at fire-rated walls, residential units equal to Bobrick #B-2730.



The University of Georgia

Office of University Architects for Facilities Planning

- c. Grab bars, equal to Bobrick #B-6861.99 with lengths as required by code.
 - d. Towel bars, 1" diameter, 18" Long, equal to Bobrick #B-530.
 - e. Robe/towel hook equal to Bradley SA37.
 - f. Shower rods equal to Bobrick #B-6047.
 - g. Shower seats equal to Bobrick #B-5181.
- iv. Custodial Closet:
- a. Mop and broom holder (3'-0" length) equal to Bobrick #B-223 X 36.



SOAP DISPENSER



GOJO FMX-12 DISPENSER

PRODUCT SKU: 5150-06

COLOR: DOVE GRAY

PRODUCT INFORMATION

Product Name

GOJO FMX-12 Dispenser

Product Number (SKU)

5150-06

Manufacturer

GOJO: www.gojo.com

Features

Site Window
Key Lock
Soft Push
Wall Mountable

Certification

ADA Compliance
Green Compliance

Color

Dove Gray

Package Quantity

One Each

Weight

1.30 LBS.

Capacity (Volume)

1250 ML.

Height

10-1/2"

Material

Plastic



Small size with high capacity
Dove Gray with glossy finish
ADA compliant one hand push operation
Optional key lock included
Lifetime guarantee

GOJO INDUSTRIES

P.O. Box 991
Akron, OH 44309-0991 USA
Telephone: 1-800-321-9647
Fax: 1-800-FAX-GOJO (1-800-329-4656)
www.gojo.com



TOILET TISSUE DISPENSER – TWO ROLL

WAUSAUPAPER®

Towel & Tissue Products

[Return to listing](#)

80200 Silhouette® Dubl-Serv® 2-Roll OptiCore® Tissue Dispenser

The Dubl-Serv® 2-roll side-by-side tissue dispenser will accommodate OptiCore® tissue products for controlled-use dispensing and optimum savings in maintenance time and costs. The Dubl-Serv® is designed for high-capacity applications and features a locking cover to prevent product pilferage and waste. When installed according to the ADA guidelines, this Dubl-Serv® dispenser is ADA Title III compliant.

Features & Benefits

- Sleek, contemporary styling
- Accommodates DublSoft®, Dubl-Nature®, and EcoSoft™ Green Seal™ bath tissue with OptiCore® technology to provide controlled usage and cost savings
- Translucent cover allows service staff to see at-a-glance when it's time to refill
- Custom imprinting available



Specifications

LPC	0 85806 80200 3
Description	Controlled-Use Bath Tissue Dispenser
Color	Black Translucent
Dispenser Size (W" x H" x D")	11 1/16 x 8 13/16 x 7 3/16
Dispenser Weight	2.1 lbs
Case Size (W" x H" x D")	11 3/8 x 8 15/16 x 7 5/8
Case Shipping Weight	3 lbs
Dispenser Case Cube	0.45
Cases Per Unit	102



TOILET TISSUE DISPENSER – THREE ROLL

wausauPAPER®

Towel & Tissue Products

[Return to listing](#)

80300 Silhouette® Revolution®

3-Roll OptiCore® Tissue Dispenser

The Revolution® 3-roll tissue dispenser is designed for high-capacity controlled-use dispensing of OptiCore® tissue products. When one roll of tissue is used, simply turn the dial to advance to the next roll. The OptiCore® technology ensures the maximum use of each roll in the Revolution® dispenser to save maintenance time and costs. The Revolution® is ADA Title III compliant when installed according to ADA guidelines. This sleek, contemporary dispenser also features a locking cover to prevent product pilferage and waste.

Features & Benefits

Accommodates *DublSoft®*, *Dubl-Nature®*, and *EcoSoft™ Green Seal™* bath tissue with OptiCore® technology to provide controlled usage and cost savings.

High-capacity dispensing

Translucent cover allows service staff to see at-a-glance when it's time to refill

Custom imprinting available



Specifications

UPC	0 85806 80300 0
Description	Controlled-Use Bath Tissue Dispenser
Color	Black Translucent
Dispenser Size (W" x H" x D")	14 1/8 x 14 9/16 x 6 5/16
Dispenser Weight	3.4 lbs
Case Size (W" x H" x D")	14 7/16 x 14 11/16 x 6 11/16
Case Shipping Weight	5 lbs
Dispenser Case Cube	0.82
Cases Per Unit	60



PAPER TOWEL DISPENSER – OPTISERV 86500

WAUSAUPAPER®

Towel & Tissue Products

[Return to listing](#)

86500 Silhouette® OptiServ®

Hands-Free

The OptiServ® Hands-Free dispenser only requires you to touch your personal towel, thereby reducing the chance for cross-contamination from touching commonly used surfaces such as levers or buttons which makes it ideal for food preparation and healthcare environments. This high-capacity dispenser accommodates up to a 1,000-foot roll along with a 4-inch stub roll to optimize dispenser capacity and save maintenance time. With each pull of the slightly exposed towel, the OptiServ® dispenses and cuts a pre-measured 11-inch towel for maximum usage control. ADA compliant when installed according to the Guidelines for Accessible Design.

Features & Benefits

- Side-hinged door for ease when opening and loading the dispenser
- Ideal for healthcare and food preparation environments where cleanliness is highly important
- Unique stub roll feature that allows the fresh roll to self-start only after the stub roll is completely used
- Custom labeling available



Specifications

UPC	0 85806 86500 8
Description	Controlled Roll Towel Dispenser
Color	Black Translucent
Dispenser Size (W" x H" x D")	11 11/16 x 16 11/16 x 9 7/16
Dispenser Weight	6.6 lbs
Case Size (W" x H" x D")	16 3/4 x 12 1/4 x 9 9/16
Case Shipping Weight	8 lbs
Dispenser Case Cube	1.14
Cases Per Unit	90




PAPER TOWEL DISPENSER – OPTISERV ACCENT 76600

New Jan. 16, 2015

wausauPAPER®

optiSERV^{accent}®

The Perfect Solution for Small Spaces

 OptiServ Accent® 76600

The OptiServ Accent® is ideal for environments where space is limited. Designed to fit tight spaces previously reserved for folded towels, the OptiServ Accent® provides the operational benefits of a larger roll towel dispenser in a compact and attractive design.

Controlled-Use Dispensing

Each pull of the exposed towel dispenses and cuts a single 11-inch towel to discourage waste and control cost. A locking cover prevents pilferage.

Features & Benefits

- At just over 12 inches high, can fit between cabinets and countertops
- Hands-free operation to reduce cross-contamination
- Reversible cover can be configured to open from left or right
- Accommodates a variety of 7.5-in. controlled roll towels in DabiSoft®, DabiNature® and EcoSoft® brands
- Custom imprinting available



Handicap Accessible

Translucent Colors: Black (76600), Red (76630), Green (76640), Blue (76650), White (76660)

Product Details

Classification	controlled
Item Number	76600
UPC	0 85806 76600 8
Color	Black Translucent
Dispenser Size	12 3/16" x 12 5/8" x 7 1/2"
Dispenser Weight	5.65 lbs.
Cases per Unit	144
Average Case Cube	0.72
Case Size	12 3/4" x 12 5/8" x 7 3/4"
Approximate Case Weight	6 lbs.



10 44 00

FIRE PROTECTION SPECIALITIES

1. GENERAL

- A. Related sections:
 - i. 02 40 00 – Demolition
- B. The Design Professional shall specify all required new fire extinguishers and related accessories and they shall be provided and installed by the Contractor as part of the Project.

2. PRODUCTS

- A. Fire Extinguisher Cabinets
 - i. Semi-recessed fire extinguisher cabinets are preferred verses flush cabinets.
 - ii. For semi-recessed cabinets, provide “FIRE EXTINGUISHER” decal on both sides of cabinet that are perpendicular to wall.
 - iii. For flush cabinets, provide “FIRE EXTINGUISHER” three-dimensional sign above the cabinet to allow identification of cabinet from a distance.



10 73 43

TRANSPORTATION SHELTERS

1. GENERAL

A. Related sections:

- i. University of Georgia Planning Principles – Site Campus Planning Principles – Site Furnishings – Transportation Shelters

2. PRODUCTS

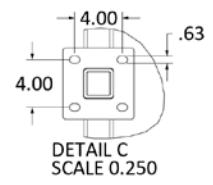
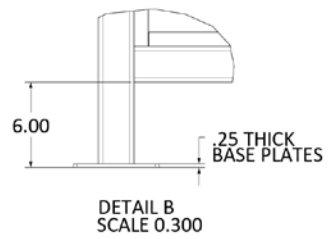
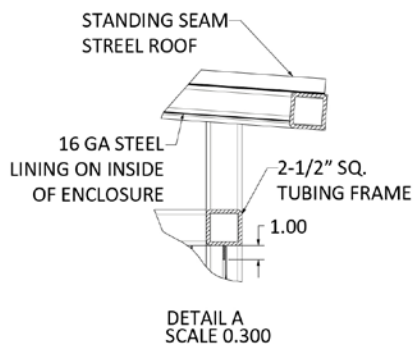
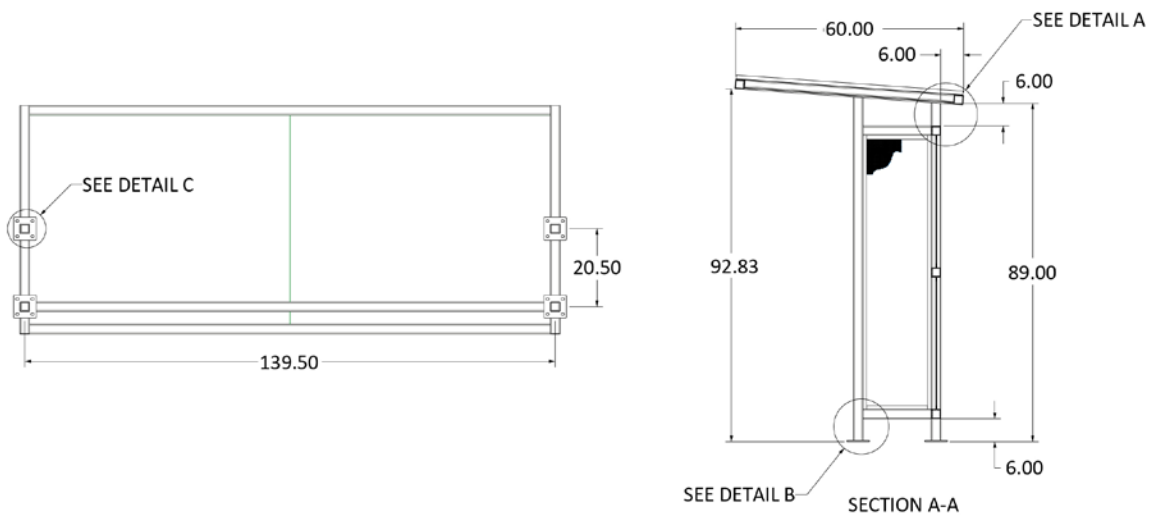
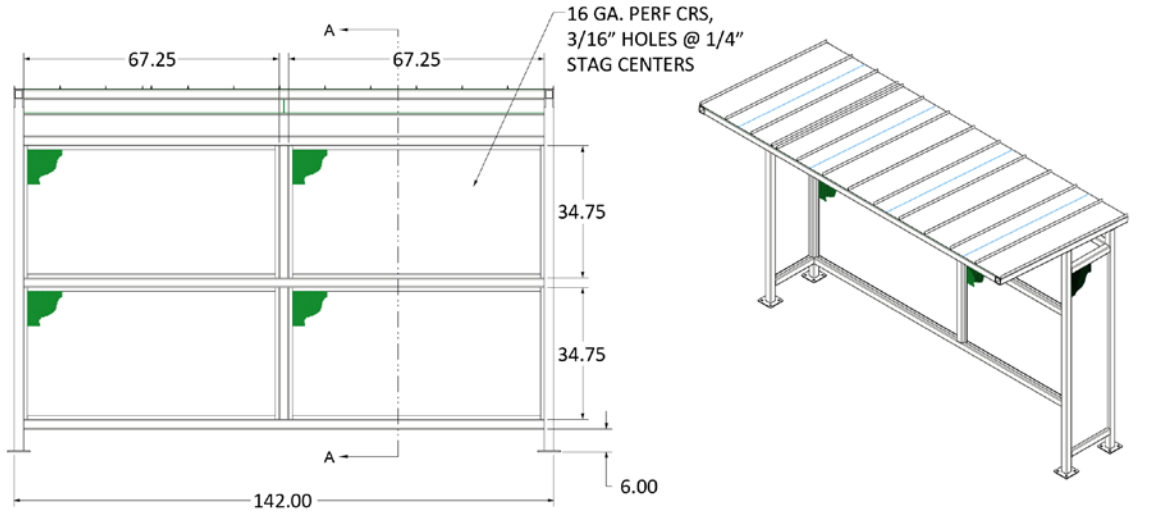
A. **UGA Athens Campuses Only:**

The transportation (bus) shelters are custom fabricated per the information provided in this section. Refer to drawing at end of section.

- i. Transit Passenger shelter constructed of square steel tube with pitched roof and 16-gauge, 42% perforated vertical steel screens rivet fastened to C-Channel Frames, allowing for air circulation. Utilizes a shade screen fixed along entire back length of shelter and both ends. Removable roof design allows for ease in shipping, installation, and maintenance.
- ii. Size
 - a. 11'-10" Long x 4'-6" Deep x 7'-11-3/8" Tall
 - b. Frame: 2-1/2" Square Steel Tubing
 - c. Anchoring: 1/2" Anchor Bolts through Welded Steel Footing Plate
- iii. Finish/Color
 - a. Coating: Oven-Baked Powder Coating Finish
 - b. Color: Fine Texture Black
 - c. All Finishing Screws Need to Match Oven-Baked Powder Coat Finish and Color of Fine Texture Black
- iv. Roof: Standing Seam Steel Roofing



The University of Georgia
Office of University Architects for Facilities Planning



NOTES
1. OVEN BAKED POWDER COAT
FINISH, COLOR: FINE TEXTURE BLACK